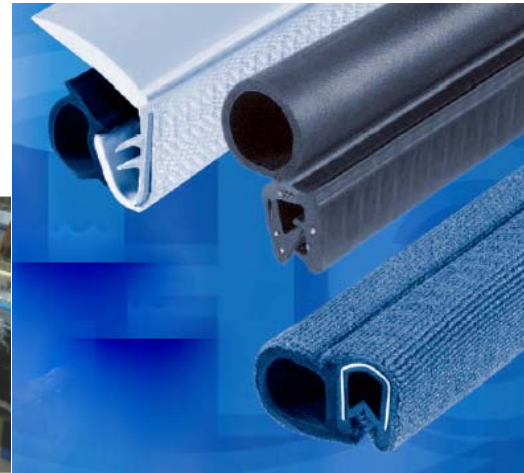


EMKA Profiles Production, Birmingham

- Rubber Profile Production
- Moulding, Vulcanising
- Conversion

EMKA

Profiles Limited



Our company is BSI 9001-2008 Accredited



Certificate No FM558791

EMKA Profiles Limited is a sealing solution provider manufacturing in Birmingham England

-We can provide you with design, logistical supply and competitive pricing.

EMKA Profiles Limited specialise in the manufacture of Steel inserted profiles which are a combination of an edge protector with bonded sponge.

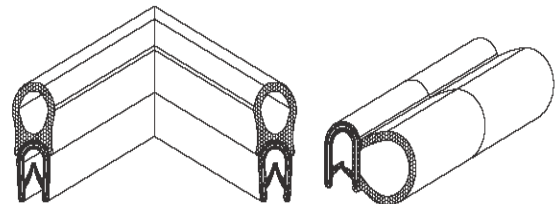
These rubber profiles are a co-extrusion of solid and sponge rubber, which allows them a dual function as they cover sharp or unfinished edges and also offer a sealing function.

The sponge rubber tubes are extremely flexible and are suitable for sealing doors, hatches and numerous other applications.

The assembly is very simple and similar to edge protectors as they can be pushed or knocked onto the flange.

Our philosophy

- Customer satisfaction
 - High quality
 - Delivery reliability
- Special attention to human resources



Contact: Ray Darby

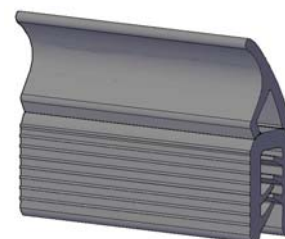
Telephone number Office: 0121730 4511

Mobile : 07971 402917

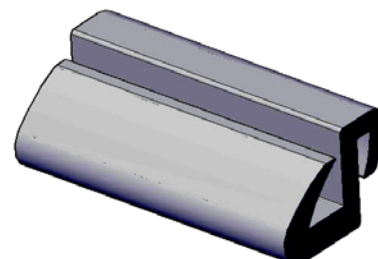
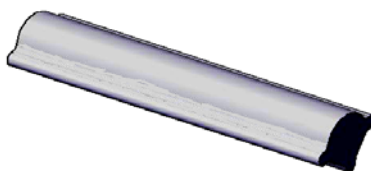
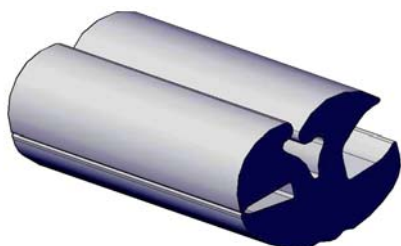
e-mail Ray.Darby@emka-profiles.co.uk

EMKA Profiles Ltd Manufacturing & Delivery Programme

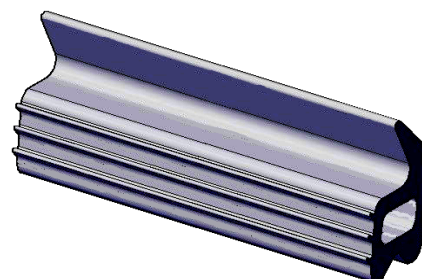
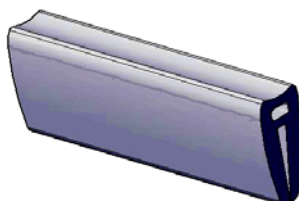
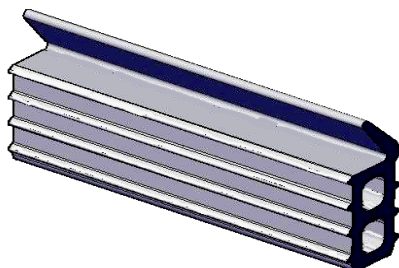
- Edge protection profiles, sealing profiles with and without metal carrier
- Sponge rubber profiles with and without bonding (Self/Acrylic Foam)
- Rubber glazing and filler profiles
- Dual Hardness rubber profiles
- Door sealing profiles
- Custom-made products, frames, rings, lengths, butyl, mastic, flock coating, notching, glueing, slip coating, etc.



Sealing profiles



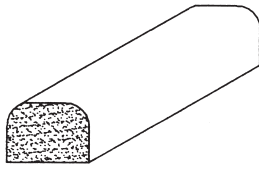
Glazing profiles



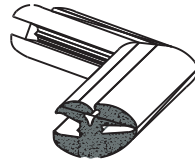
Door profiles

Delivery programme

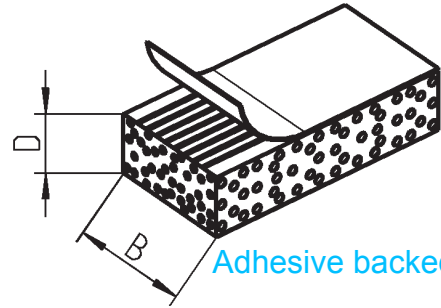
EMKA Profiles Ltd Manufacturing & Delivery Programme



Sponge profiles



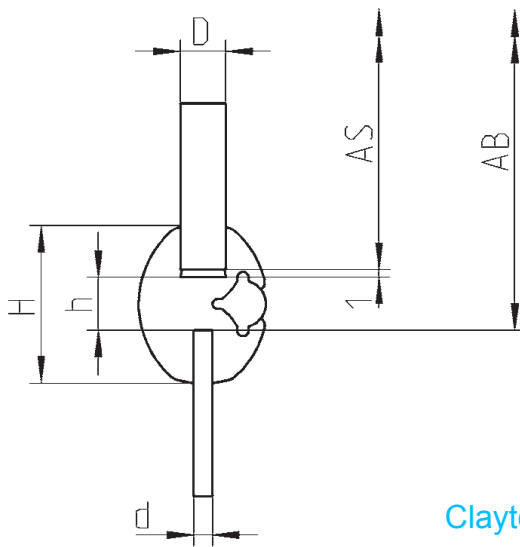
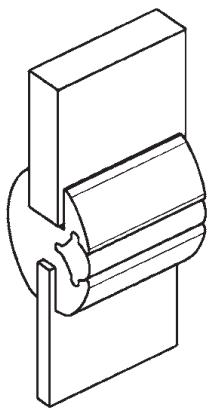
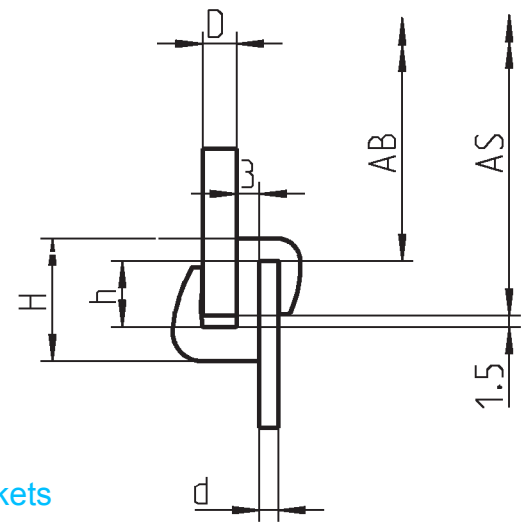
Spliced profiles



Adhesive backed foam



Push fit glazing gaskets



Claytonrite glazing profiles with locking insert